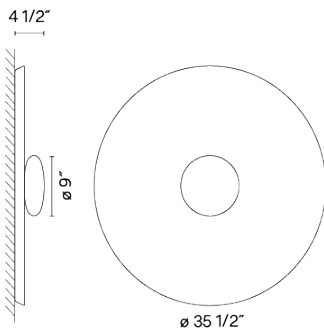


Design By Ramos & Bassols

Top 1170 is a ceiling and wall lamp. It features simple lines that blend in with the surfaces attached. The light reflected by the glass diffuser is confined within the rosette as if the light were framed.

## Spec sheet



Any modifications require a minimum order quantity and extra lead time

### Finish

- 10 White  
NCS S 0300-N
- 40 Blue L1  
NCS S 3010-B
- 36 Soft Pink  
NCS S 1010-Y50R
- 47 Green L1  
NCS S 4005-G80Y

### LED

2700 K / 3500 K

### Dimming

Push; 1-10V; DALI-2

### Installation type

Surface

### LED

CRI>90 3300 lm 82.08  
2700 K / 3500 K

### Driver

Constant Current 700 110~127 V V  
50~60 Hz HZ

Dimmable LED IP20, Dry Location

### Application

Ceiling Fixtures

### Packaging

1 Box  
44.09 m x 44.09 m x 13.58 m  
Gross weight 16.96  
Net weight 11.67  
Vol. 15.2808

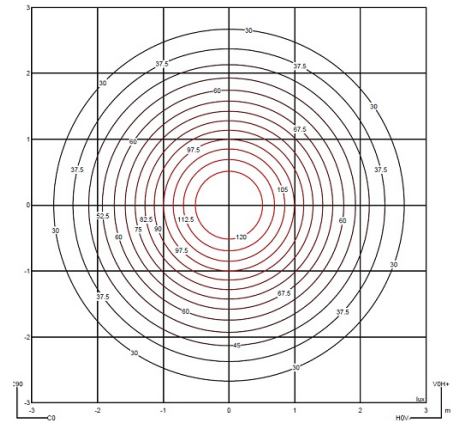
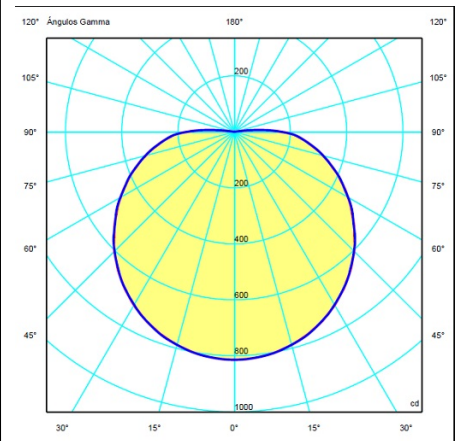
### Lighting effect

#### General lighting

Lamp for general lighting that equally distributes the light in all directions.



### Photometric Data



Efficiency 66.69 lm/W  
Coordination System CG  
Total Flux 3103,46lm  
Maximum Value 813,96cd

All of our products come with a two year standard warranty. Check US & Canada Term and Condition sales@vibia.com

VIBIA, INC.

Office / Oficina  
272 Fernwood Ave. Edison, NJ 08837. USA

International T 732 417 1700  
Spain / Portugal T +34 934 796 970

sales@vibia.com  
www.vibia.com/us/usa

# Top

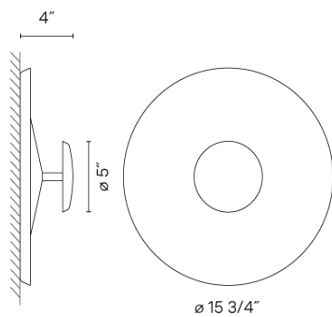
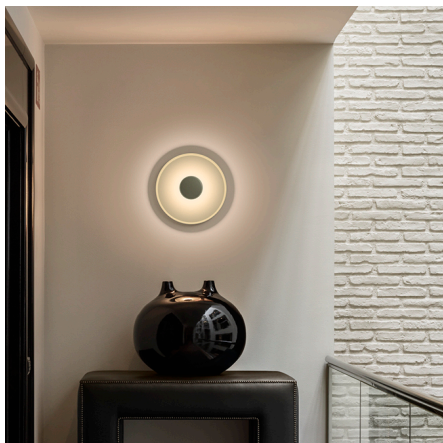
1155

# VIBIA

Design By Ramos & Bassols

Top is a wall lamp that comes in a range of balanced colors that help to create very warm atmospheres. The Top collection offers indirect light that is confined within its diameter, forming a contrast with the outer part of the lamp.

## Spec sheet



Any modifications require a minimum order quantity and extra lead time

### Finish

- 40 Blue L1  
NCS S 3010-B
- 47 Green L1  
NCS S 4005-G80Y
- 36 Soft Pink  
NCS S 1010-Y50R
- 10 White  
NCS S 0300-N

### LED

2700 K / 3500 K

### Dimming

Push; 1-10V; DALI-2 / TRIAC

TRIAC/ELV or Lutron ECO /  
TRIAC/ELV or Lutron ECO

### Installation type


Surface

### LED

CRI>90 2050 lm 112  
2700 K / 3500 K

### Driver

Constant Current 500 110-127 V V  
50-60 Hz HZ

Dimmable LED IP20  Dry Location

### Application

Wall Fixtures

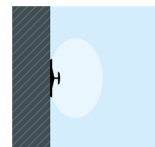
### Packaging

1 Box  
21.97 m x 21.97 m x 10.04 m  
Gross weight 3.96  
Net weight 3.3  
Vol. 2.8005

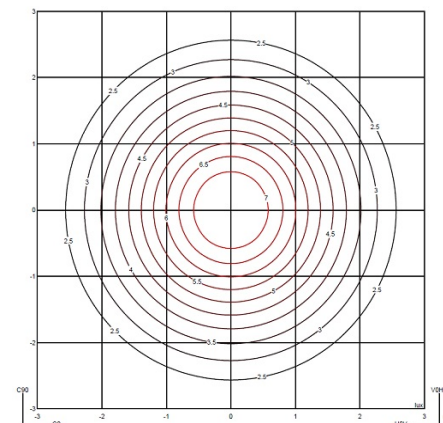
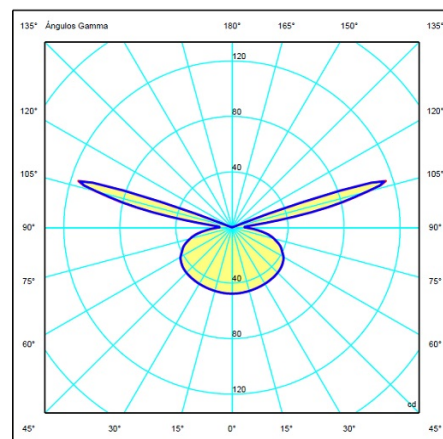
### Lighting effect

#### Indirect lighting

Lamp that emits an upward or backward beam that is reflected by the ceiling or wall.



### Photometric Data



Efficiency 21.06 lm/W  
Coordination System CG  
Total Flux 349.72 lm  
Maximum Value 112.03 cd

All of our products come with a two year standard warranty. Check US & Canada Term and Condition sales@vibia.com

VIBIA, INC.

Office / Oficina  
272 Fernwood Ave. Edison, NJ 08837. USA

International T 732 417 1700  
Spain / Portugal T +34 934 796 970

sales@vibia.com  
www.vibia.com/us/usa

# Top

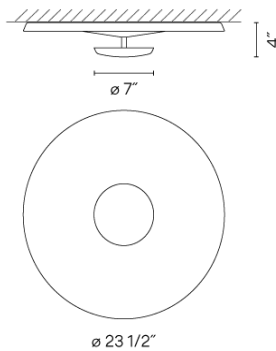
## 1160

# VIBIA

Design By Ramos & Bassols

Top is a ceiling or wall lamp that comes in a range of balanced colors that help to create very warm atmospheres. The Top collection offers indirect light that is confined within its diameter, forming a contrast with the outer part of the lamp.

## Spec sheet



Any modifications require a minimum order quantity and extra lead time

### Finish

- 10 White  
NCS S 0300-N
- 40 Blue L1  
NCS S 3010-B
- 47 Green L1  
NCS S 4005-G80Y
- 36 Soft Pink  
NCS S 1010-Y50R

### LED

2700 K / 3500 K

### Dimming

Push; 1-10V; DALI-2 / TRIAC

TRIAC/ELV or Lutron ECO /  
TRIAC/ELV or Lutron ECO

### Installation type

Surface

### LED

CRI>90 2880 lm 109.10  
2700 K / 3500 K

### Driver

Constant Current 700 110~127 V V  
50~60 Hz HZ

Dimmable LED IP20, Dry Location

### Application

Ceiling Fixtures

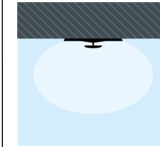
### Packaging

1 Box  
29.92 m x 29.92 m x 10.63 m  
Gross weight 6.89  
Net weight 5.51  
Vol. 5.5056

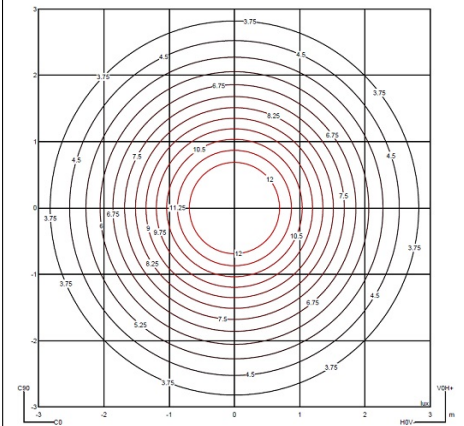
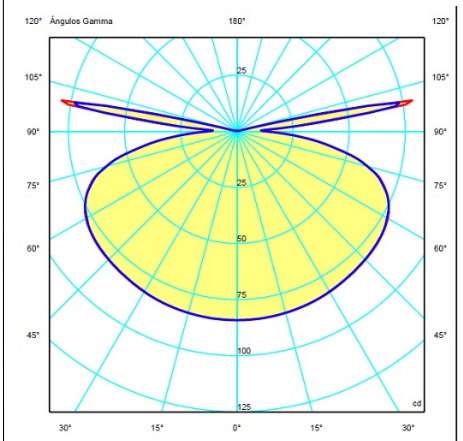
### Lighting effect

#### Indirect lighting

Lamp that emits an upward or backward beam that is reflected by the ceiling or wall.



#### Photometric Data



Efficiency 15.60 lm/W  
Coordination System CG  
Total Flux 478.39 lm  
Maximum Value 84.15 cd

All of our products come with a two year standard warranty. Check US & Canada Term and Condition [sales@vibia.com](mailto:sales@vibia.com)

VIBIA, INC.

Office / Oficina

272 Fernwood Ave. Edison, NJ 08837. USA

International T 732 417 1700

Spain / Portugal T +34 934 796 970

[sales@vibia.com](mailto:sales@vibia.com)

[www.vibia.com/us/usa](http://www.vibia.com/us/usa)